

SPEAKER RIGGING FRAMES

HY-PF7B HY-PF7W

Thank you for purchasing TOA's Speaker Rigging Frame.

Please carefully follow the instructions in this manual to ensure long, trouble-free use of your equipment.

1. SAFETY PRECAUTIONS

- Before installation or use, be sure to carefully read all the instructions in this section for correct and safe operation.
- Be sure to follow all the precautionary instructions in this section, which contain important warnings and/or cautions regarding safety.
- After reading, keep this manual handy for future reference.

WARNING

Indicates a potentially hazardous situation which, if mishandled, could result in death or serious personal injury.

- Refer all installation work to the dealer from whom the speaker was purchased. Installation for flying requires extensive technical knowledge and experience. The speaker may fall off if incorrectly installed, resulting in possible personal injury.
- Flying Precautions
Be sure to follow the instructions below. Otherwise, the suspension wires or belts may be off or snap and the speaker may fall off, causing personal injury.
 - Check to confirm that the suspension wires and belts are strong enough to withstand the speaker load.
 - The connectors of the suspension wires and belts must be securely linked with those of the speaker.
 - All parts and components (such as enclosures, metal pieces, and screws) must be free from any deformation, crack, and corrosion.
 - Be sure to use screws supplied with the optional flying hardware when installing the speaker using such hardware.
- Install the speaker only in a location that can structurally support the weight of the speaker and the mounting bracket. Doing otherwise may result in the speaker falling down and causing personal injury and/or property damage.
- Since the frame is designed for indoor use, do not install it outdoors. If installed outdoors, the aging

of parts causes the speaker to fall off, resulting in personal injury. Also, when it gets wet with rain, there is a danger of electric shock.

- Owing to the speaker's size and weight, be sure that at least two persons are available to install the speaker. Failure to do so could result in personal injury.
- Do not use other methods than specified to mount the frame. Extreme force is applied to the frame and the speaker could fall off, possibly resulting in personal injuries.
- Use nuts and bolts that are appropriate for the ceiling's structure and composition. Failure to do so may cause the speaker to fall, resulting in material damage and possible personal injury.
- Tighten each nut and bolt securely. Ensure that the frame has no loose joints after installation to prevent accidents that could result in personal injury.
- Use the specified speaker in combination. Doing otherwise may cause the speaker to fall off, resulting in personal injury.
- Do not mount the speaker in locations exposed to constant vibration. The frame can be damaged by excessive vibration, potentially causing the speaker to fall, which could result in personal injury.
- Avoid installing the speaker in indoor swimming facilities that are not well ventilated. In such locations the frame may be vulnerable to corrosion, eventually allowing the speaker to fall resulting in personal injury.

CAUTION

Indicates a potentially hazardous situation which, if mishandled, could result in moderate or minor personal injury, and/or property damage.

- Avoid touching the frame's sharp metal edge to prevent injury.
- Have the frame checked periodically by the shop from where it was purchased. Failure to do so may result in corrosion or damage to the frame that could cause the speaker to fall, possibly causing personal injury.

2. GENERAL DESCRIPTION

The HY-PF7B and HY-PF7W Speaker rigging frames are used exclusively to suspend the HX-7B or HX-7W Speaker system from the high ceiling indoors.

The FB-150B or FB-150W Subwoofer system can also be suspended using the HY-PF7B or HY-PF7W and the Speaker rigging frame's supplied mounting brackets.

Each of HY-PF7B and HY-PF7W is capable of suspending up to two HX-7B or HX-7W speakers and one FB-150B or FB-150W.

3. SUSPENDING FB-150B OR FB-150W



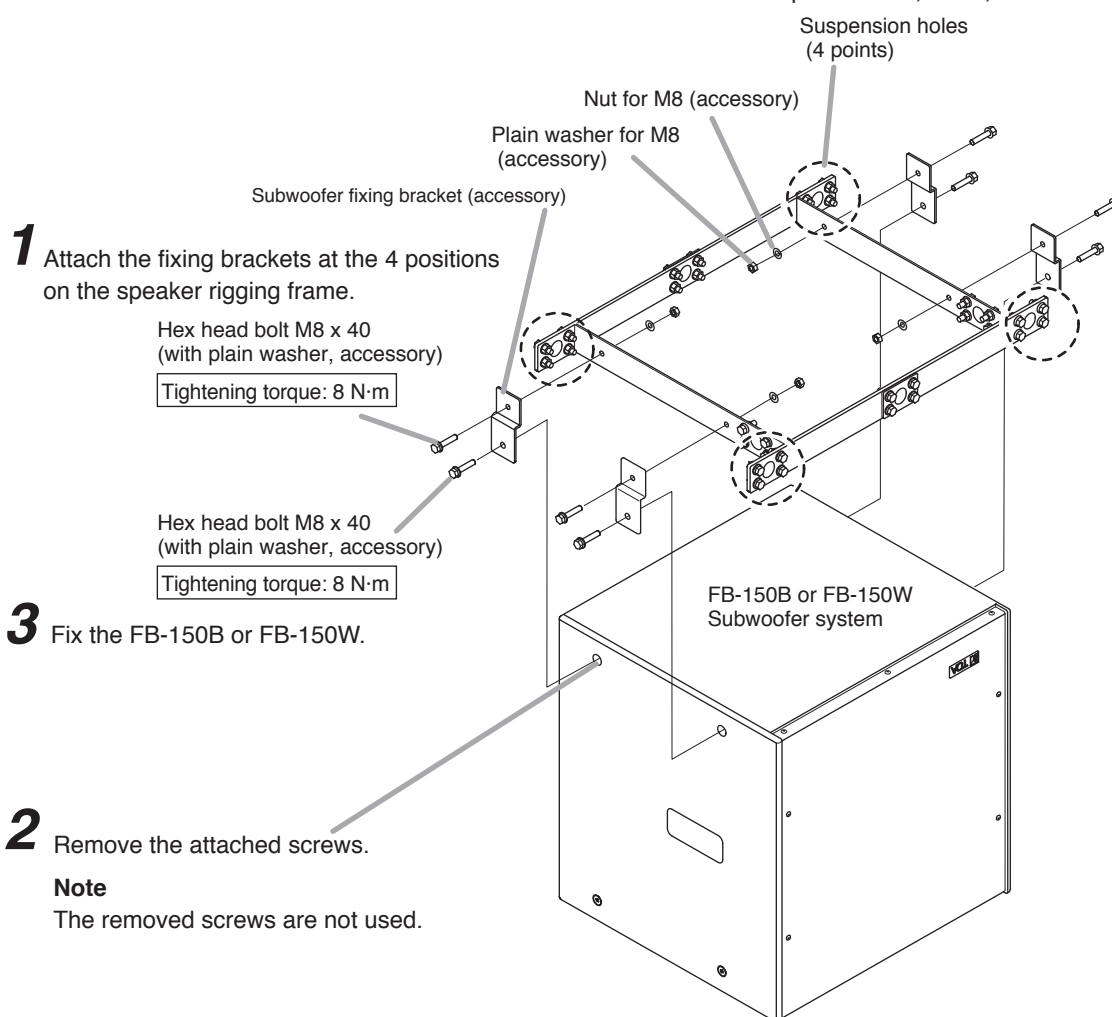
WARNING

- Owing to the speaker's size and weight, be sure that at least two persons are available to install the Speaker rigging frame. Failure to do so could result in personal injury.
- Tighten the bolts securely, as instructed below. Failure to follow instructions precisely could result in a falling speaker and potential personal injury.
- Ensure that all bolts are securely inserted as far as their threads go, then securely fasten each bolt with a nut.
- Tighten all the bolts with the designated tightening torque. For tightening, use a Phillips screwdriver, or open- or box-end wrench.

When mounting the rigging frame to the Subwoofer system, place the rigging frame above the Subwoofer system as shown below.

- 4** Turn the rigging frame/Subwoofer assembly upside down, then suspend it at 4 points on the rigging frame from the ceiling using chains, wires, or carabiners. (See p.4, "SUSPENSION EXAMPLES.")

Note: Prepare chains, wires, or carabiners separately.



4. SUSPENDING HX-7B OR HX-7W



WARNING

Owing to the speaker's size and weight, be sure that at least two persons are available to install the Speaker rigging frame. Failure to do so could result in personal injury.

Attach the suspension brackets supplied with each of HX-7B and HX-7W speakers, setting the directivity angle mode to the desired mode in advance. When suspending two HX-7B or HX-7W speakers, connect them in advance using the HY-CN7 Series Speaker connection bracket (optional).

Note

Refer to the instruction manual supplied with the HX-7 Series speaker for suspension bracket mounting method and directivity angle mode modifications, and to the HY-CN7 Series installation manual for speaker connections.

Up to two HX-7B or HX-7W speakers can be suspended together. Only vertical suspension is possible.

Note

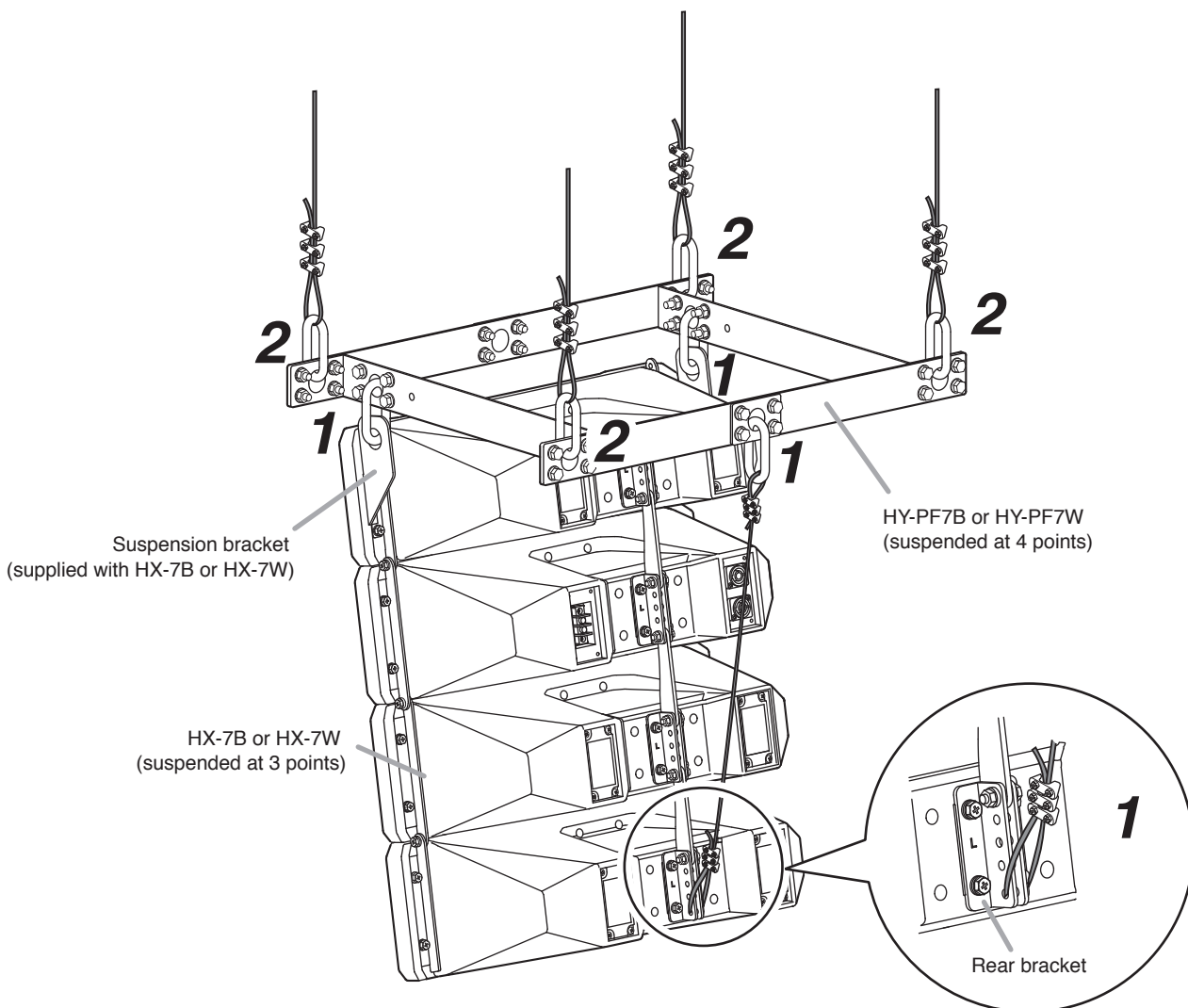
When installing the speakers together with TOA's FB-150B or FB-150W Subwoofer system, first perform the operations explained on the previous page.

Step 1. Using the HX-7B's or HX-7W's suspension and rear brackets, suspend the HX-7B or HX-7W at 3 points of the rigging frame.

Step 2. Suspend the speaker/rigging frame assembly from the ceiling using chains or wires and carabiners attached to the rigging frame in 4 places.

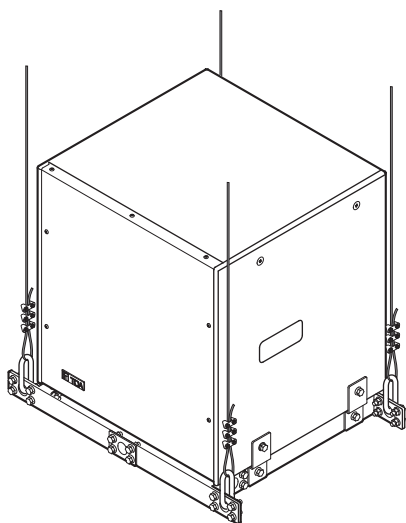
Note

To suspend the Speaker rigging frame and HX-7B or HX-7W speaker(s), be sure to use chains, wires, or carabiners, which should be prepared separately.

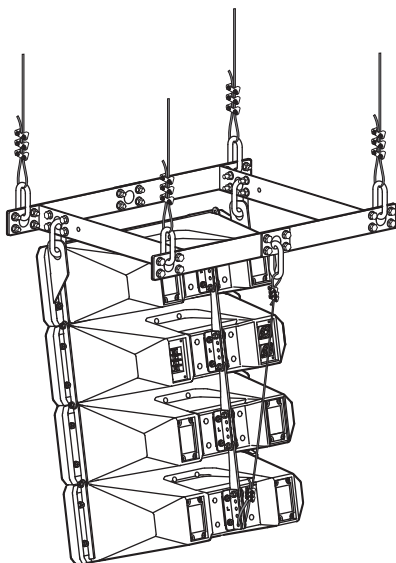


5. SUSPENSION EXAMPLES

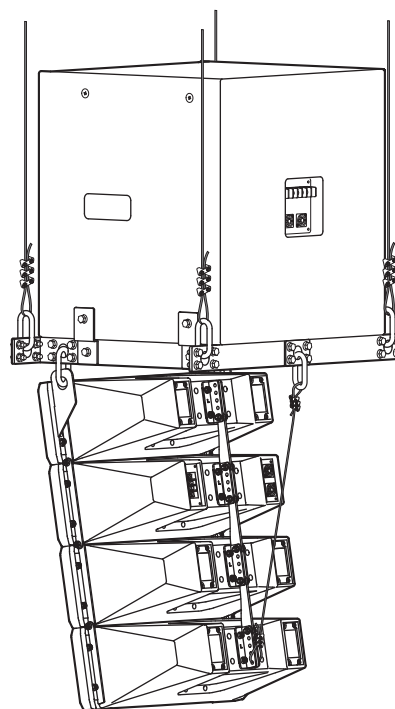
[When suspending only Subwoofer system]



[When suspending only Speaker system]

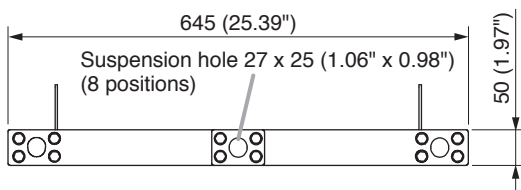
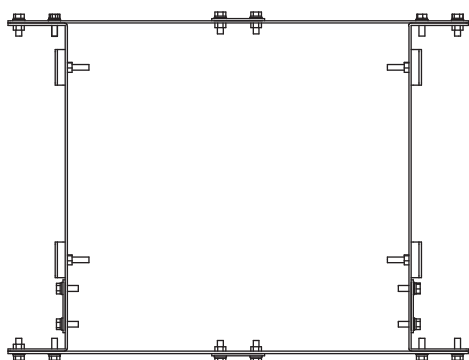


[When suspending Subwoofer and Speaker systems]



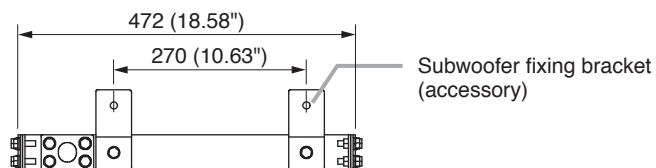
6. DIMENSIONAL DIAGRAM

Unit: mm



Note

The holes to use for suspension differ depending on the way of speaker suspension.



7. SPECIFICATIONS

Model No.	HY-PF7B	HY-PF7W
Finish	Steel plate, black, semi-gloss, paint	Steel plate, white, semi-gloss, paint
Dimensions	645 (w) x 50 (h) x 472 (d) mm (25.39" x 1.97" x 18.58") (excluding projection)	
Weight	4 kg (8.82 lb)	
Accessory	Subwoofer fixing bracket ... 4, Hex head bolt M8 x 40 with washer ... 8, Nut for M8 ... 4, Plain washer for M8 ... 4	

Note: The design and specifications are subject to change without notice for improvement.